

6

5

4

3

2

1

D

D

C

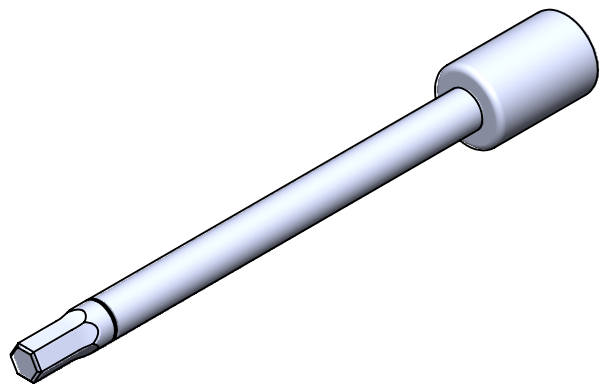
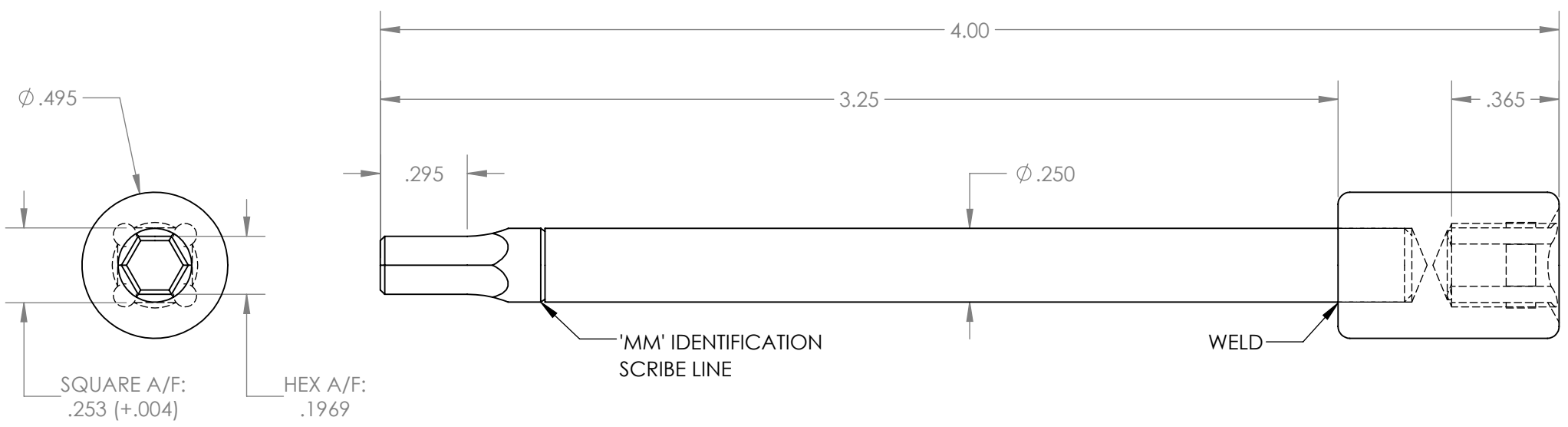
C


B

B

A

A



UNLESS OTHERWISE SPECIFIED: DIMENSIONS ARE IN INCHES				TOLERANCES: X.XX= +/- 0.125 X.XXX= +/- 0.0313 X.XXXX= - 0.001		 The Global Source for Stainless Steel Tools	
DRAWN	A.T.	SIGNATURE	DATE	MATERIAL: SHAFT: 465 MAGNETIC S.S DRIVE: 316 NON-MAGNETIC S.S		TITLE: 5.0MM HEX X 1/4" SQUARE DRIVE BIT, 4.00" OAL	
CHCK'D						PART NO. 10565_SP4	
APPV'D						A6	
Q.A						REVISION: A	
<i>THIS DRAWING IS THE PROPERTY OF STERITOOL, INC. ANY REPRODUCTIONS OR MODIFICATIONS OF THIS DRAWING OR ITS CONTENTS WITHOUT THE CONSENT OF STERITOOL, INC. IS PROHIBITED.</i>				SCALE: NOT TO SCALE		SHEET 1 OF 1	

6

5

4

3

2

1